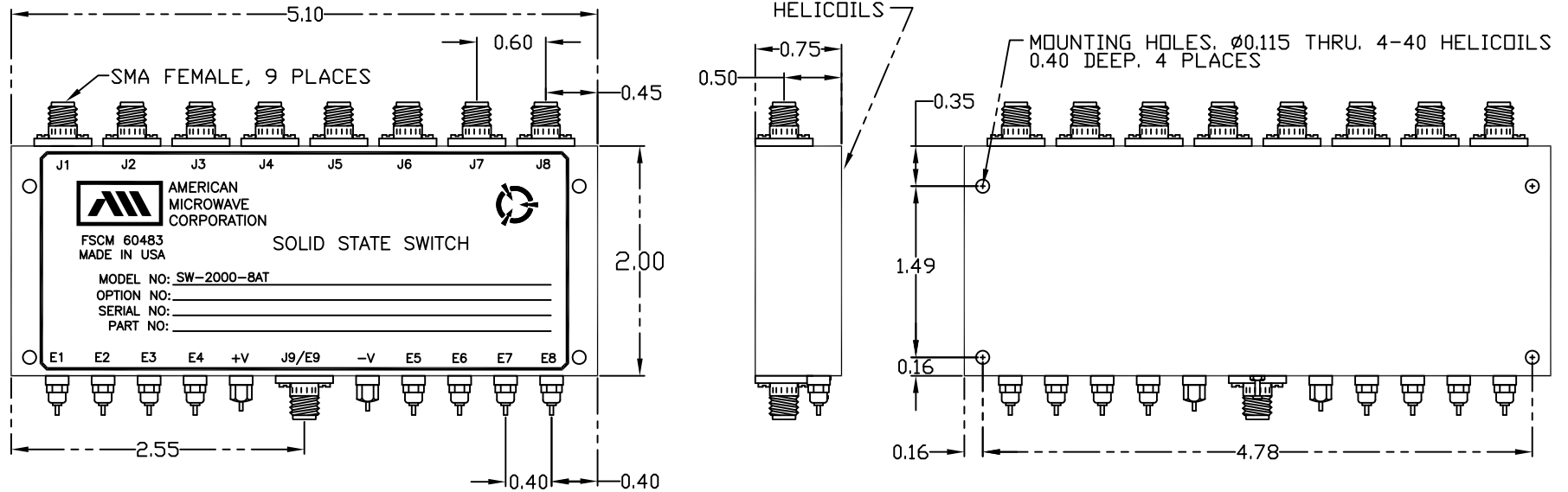


REVISIONS				
ZONE	REV.	DESCRIPTION	DATE	APPROVED
	A	SEE ER# 025-12	4/30/12	RA

SPECIFICATIONS:

- FREQUENCY: 0.01 – 2 GHz
- INSERTION LOSS: 2.0 dB MAXIMUM
- ISOLATION: 80dB MINIMUM
- VSWR: REFLECTIVE IN/OUT: 1.5:1 MAXIMUM
 ABSORPTIVE IN/OUT: 1.5:1 MAXIMUM
 ABSORPTIVE OUT/OFF: 1.45:1 MAXIMUM
- RISE TIME: 50 nSec MAXIMUM
- FALL TIME: 50 nSec MAXIMUM
- POWER HANDLING: +20dBm MAXIMUM
- CONTROL: LOGIC TTL "HI" = RF ON
 LOGIC TTL "LOW" = RF OFF
- POWER SUPPLY: +5V @ 350mA MAXIMUM
 -15V @ 1000mA MAXIMUM



ENVIRONMENTAL RATINGS:

- TEMPERATURE: -40°C TO +85°C (OPERATING)
 -65°C TO +125°C (STORAGE)
- HUMIDITY: MIL-STD-202F, METHOD 103B COND. B
- SHOCK: MIL-STD-202F, METHOD 213B COND. B
- VIBRATION: MIL-STD-202F, METHOD 204D COND. B
- ALTITUDE: MIL-STD-202F, METHOD 105C COND. B
- TEMPERATURE CYCLE: MIL-STD-202F, METHOD 107D COND. A

ALL DIMENSIONS ARE IN INCHES
 TOLERANCES:
 X.XX ±0.020
 X.XXX ±0.010

NOTE: SPECIFICATIONS WILL VARY OVER OPERATING TEMPERATURE
 NOTE: THE ABOVE SPECIFICATIONS ARE SUBJECT TO CHANGE OR REVISION

* Units are designed to meet Environmental ratings but not tested. If Environmental Testing is required, please contact Sales Department.

PART NO.		AMERICAN MICROWAVE CORPORATION FREDERICK, MARYLAND		
APPROVALS	DATE	TITLE		
DRAWN <i>K JFMMS</i>	4/30/12	PRODUCT FEATURE SW-2000-8AT		
ENG <i>RA</i>	4/30/12	SIZE	FSCM NO.	DWG NO.
QAE <i>K JFMMS</i>	4/30/12	A	60483	100-8243
SCALE				REV. A
				SHEET 1 of 1